

LARGE FORMAT

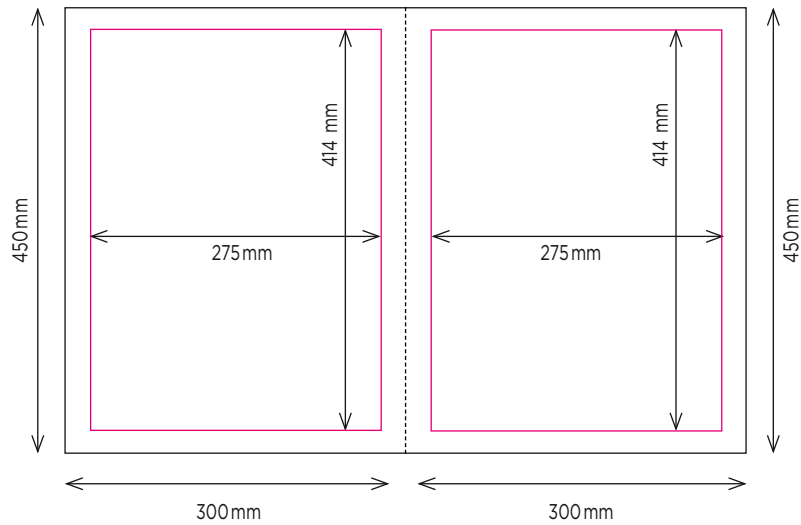
without bleed

DRUCK STYRIA GMBH & CO KG | druck@styria.com | T. +43 316 8099 2003 | F. +43 316 8099 2004 | www.printgroupstyria.com

PAGE FORMAT / PAPER FORMAT | 300 X 450 mm

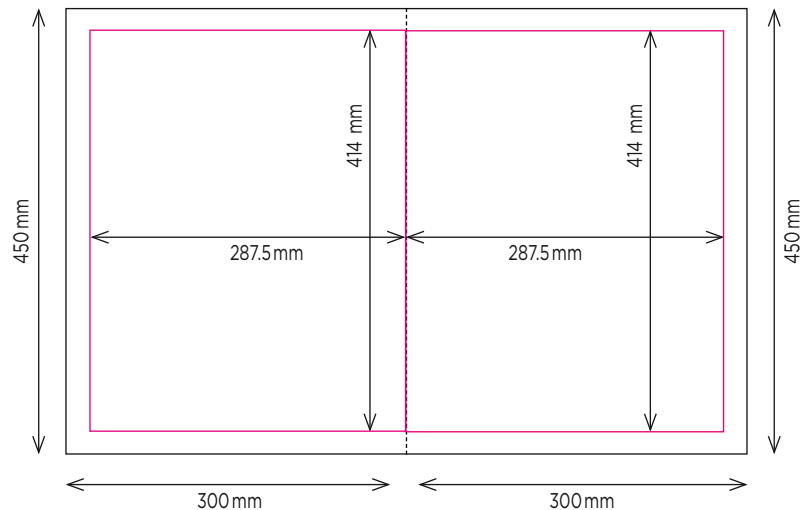
TYPE AREA | FORMAT WITHOUT GUTTER | 275 X 414 mm

<i>Margins</i>	
<i>Top</i>	18 mm
<i>Bottom</i>	18 mm
<i>Inside</i>	12.5 mm
<i>Outside</i>	12.5 mm



TYPE AREA | FORMAT WITH GUTTER | 287.5 X 414 mm

<i>Margins</i>	
<i>Top</i>	18 mm
<i>Bottom</i>	18 mm
<i>Inside</i>	0 mm
<i>Outside</i>	12.5 mm



Delivery of the PDF as single pages without cutting marks / registration marks!

If the space in the gutter is required, this is to be clarified with the printing shop. Outside, at the top and at the bottom, no elements may extend beyond the type area as these can no longer be printed!

LARGE FORMAT

with bleed, trimmed

DRUCK STYRIA GMBH & CO KG | druck@styria.com | T. +43 316 8099 2003 | F. +43 316 8099 2004 | www.printgroupstyria.com

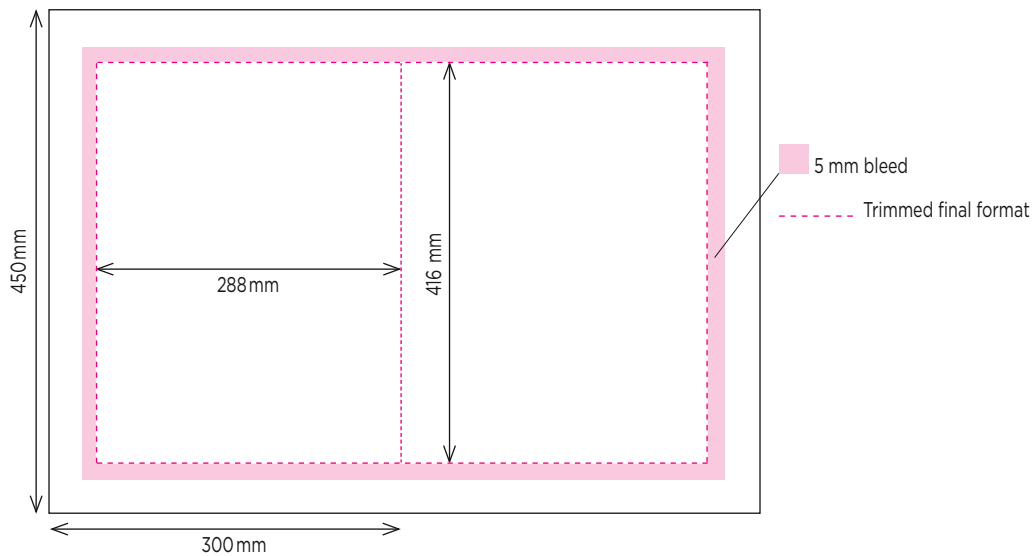
PAPER FORMAT | 300 X 450 mm

BLD FINAL FORMAT | 288 X 416 mm

<i>Bleed</i>		<i>Info area</i>	
<i>Top</i>	5 mm	<i>Top</i>	17 mm
<i>Bottom</i>	5 mm	<i>Bottom</i>	17 mm
<i>Inside</i>	0 mm	<i>Inside</i>	0 mm
<i>Outside</i>	5 mm	<i>Outside</i>	12 mm

This results in a PDF file size of 300 x 450 mm

Delivery of the PDF as single pages without cutting marks / registration marks!



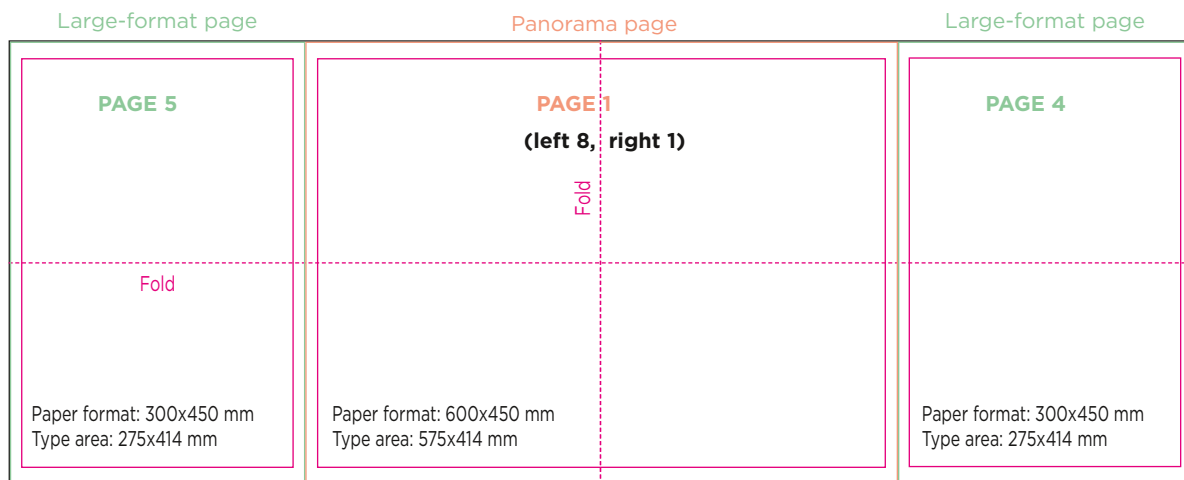
Delivery of the PDF as single pages without cutting marks / registration marks!

Superpanorama XXL

Specifications

DRUCK STYRIA GMBH & CO KG | druck@styria.com | T. +43 316 8099 2003 | F. +43 316 8099 2004 | www.printgroupstyria.com

POSTER OUTDOORS



Delivery of the PDF as individual pages with numbering according to description (1-6) without cutting marks / registration marks

Margins

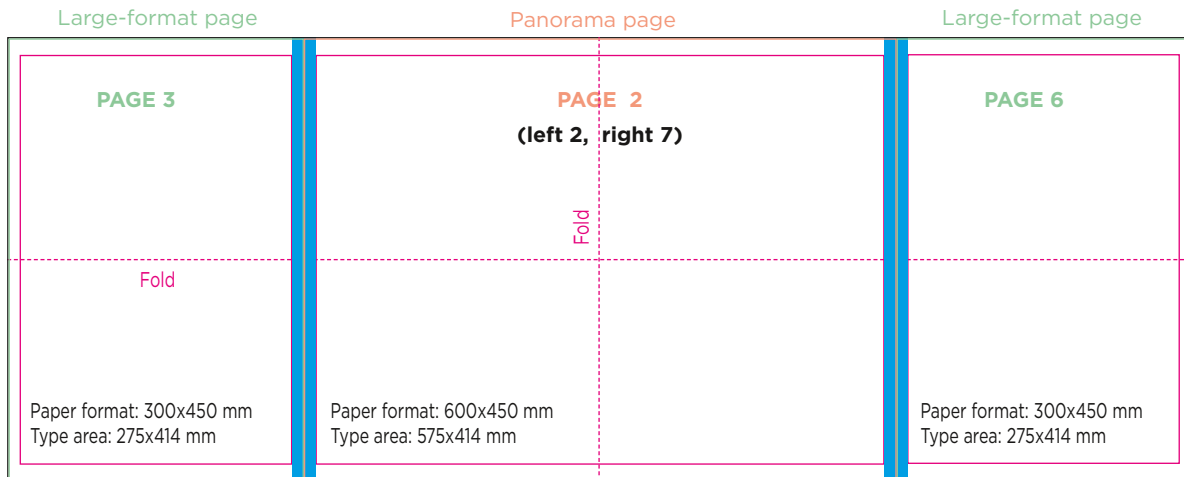
Top	18 mm
Bottom	18 mm
Inside	12.5 mm
Outside	12.5 mm

Superpanorama XXL

Specifications

DRUCK STYRIA GMBH & CO KG | druck@styria.com | T. +43 316 8099 2003 | F. +43 316 8099 2004 | www.printgroupstyria.com

POSTERS INDOOR



Blue = adhesive area (25 mm in total) - must remain free or area is not visible!



Delivery of the PDF as individual pages with numbering according to description (1-6) without cutting marks / registration marks

Margins

Top	18 mm
Bottom	18 mm
Inside	12.5 mm
Outside	12.5 mm